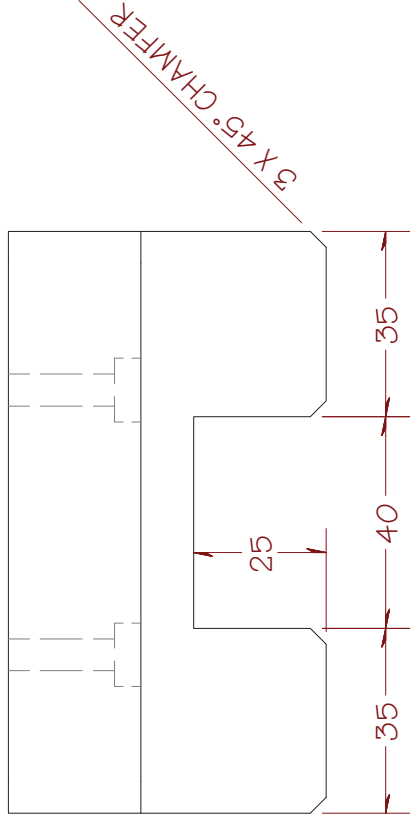
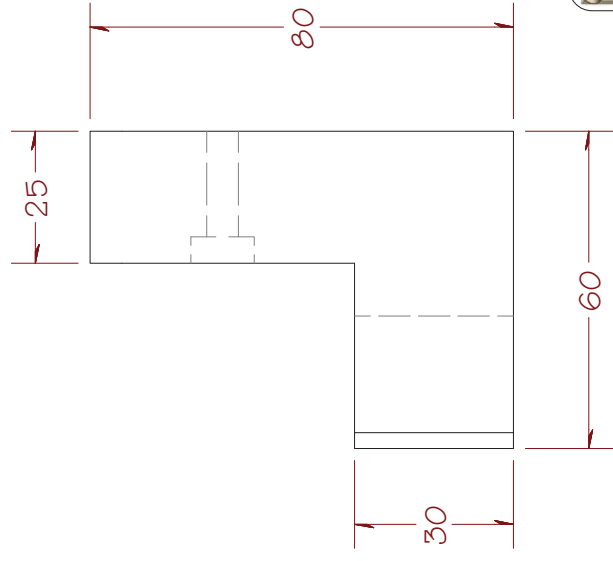
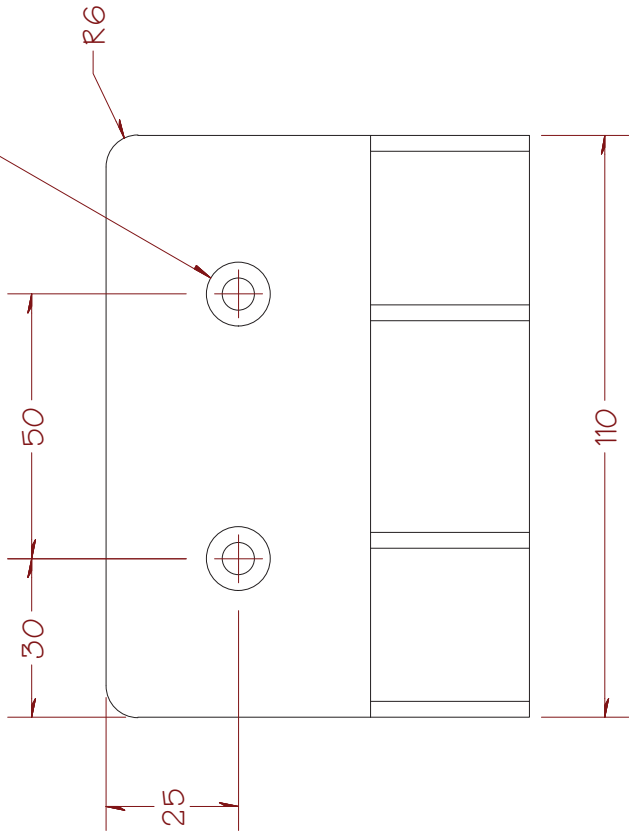


ALL DIMENSIONS ARE IN MILLIMETERS



Ø6 THRU  
 □ Ø12 ▽ 5  
 2 PLCS



SHEET 3 OF 25

THE CURTIS MAGNETSPACK DESK OF	
FILE NAME	Mount Bracket.ipt
DESCRIPTION	Hardware, Bracket